

PART NAME

NEMA 4X ENCLOSURE

PART No.

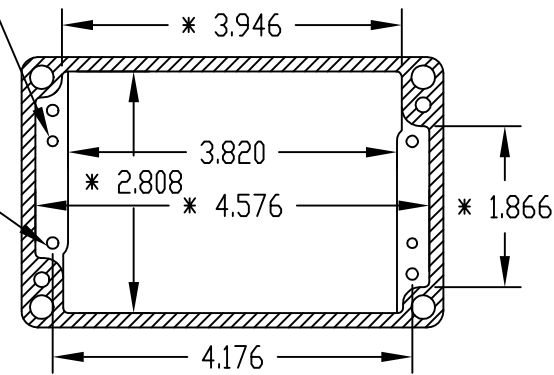
AN-1313, AN-1313-G, AN-2813 & AN-2813-B

REV. DATE

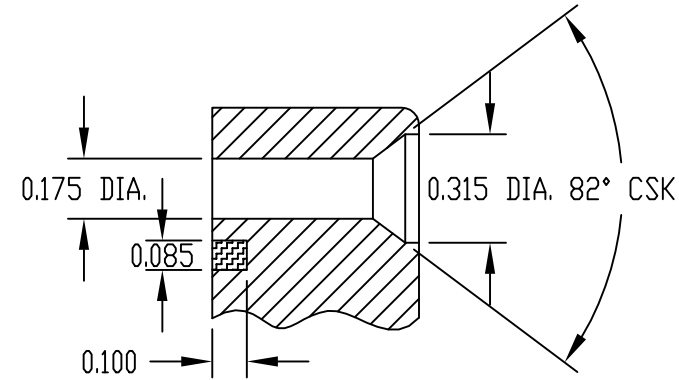
12-6-07

0.125 DIA. x 0.290 DEEP
(2) PLACES
ACCEPTS M3.5 x 6mm
SELF-TAPPING SCREW
(NOT SUPPLIED)

0.136 DIA. x 0.290 DEEP
(4) PLACES
ACCEPTS M4 x 6mm
SELF-TAPPING SCREW
(NOT SUPPLIED)



SECTION "B-B"
* DIMENSIONS ARE AT
BOTTOM OF ENCLOSURE



DETAIL "D"
(4 PLACES)

MATERIAL: ALUMINUM ALLOY #ADC-12

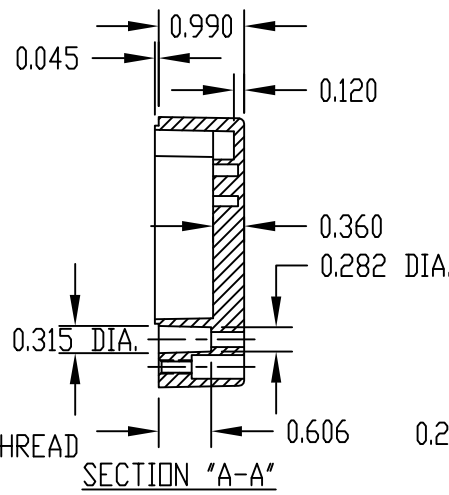
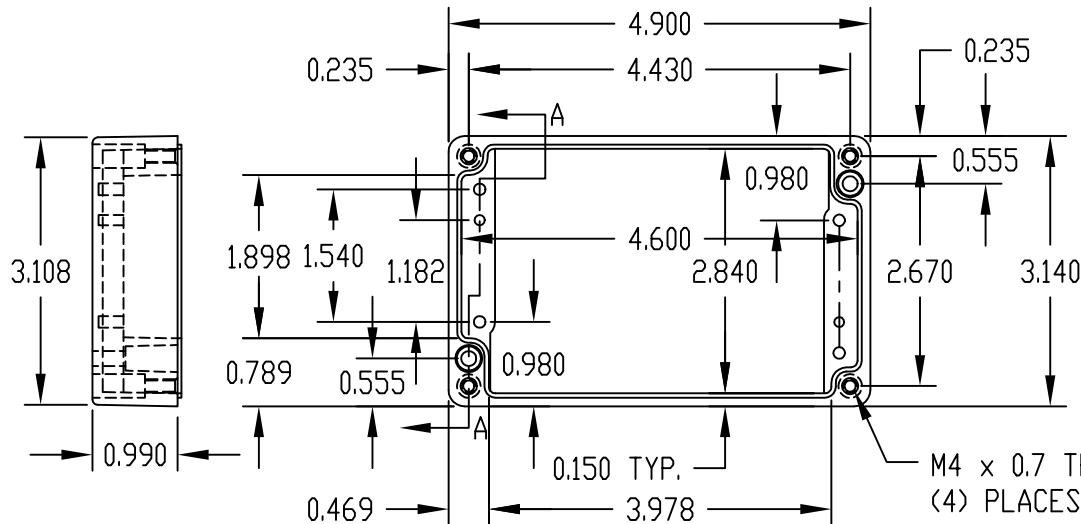
FINISH: NATURAL (NO SUFFIX)

GRAY (SUFFIX -G)

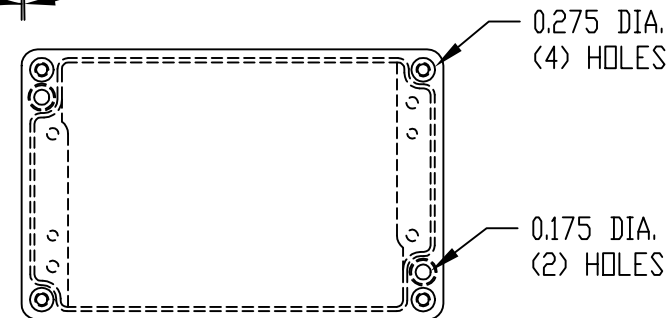
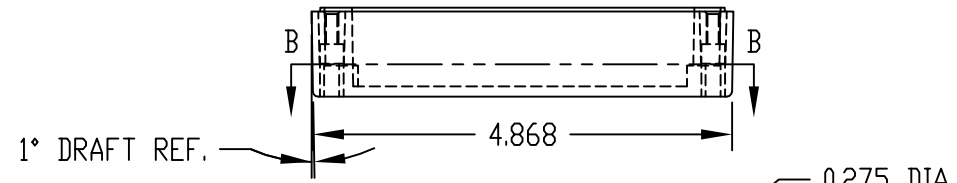
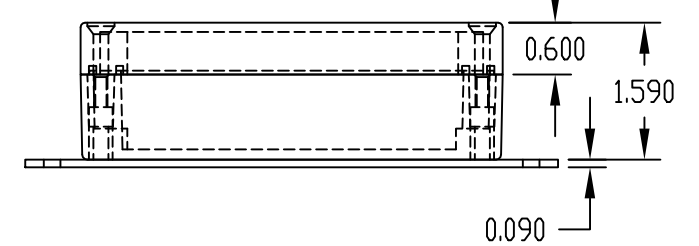
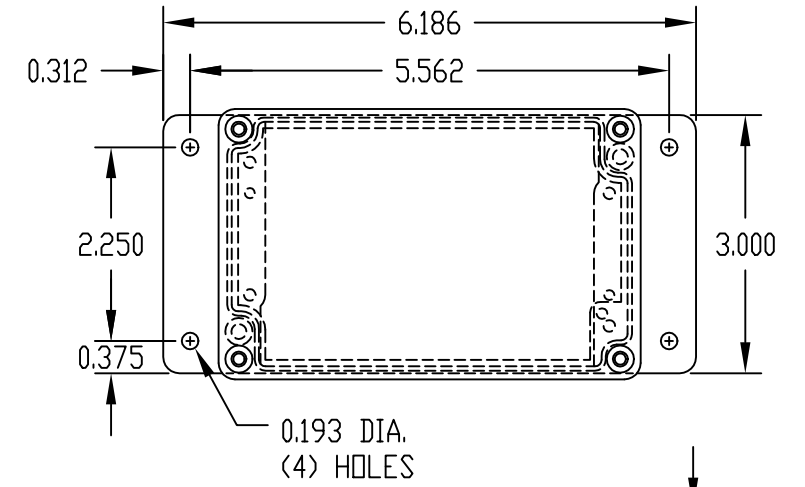
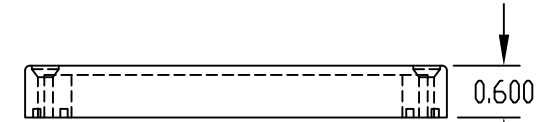
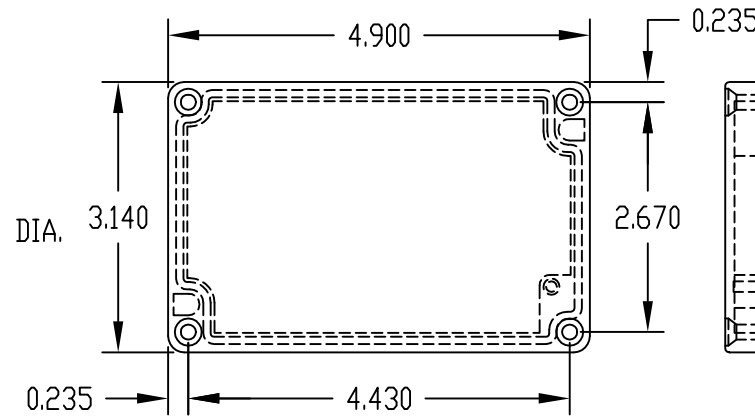
SMOOTH BLACK (SUFFIX -B)

NOTES:

- 1) FOUR (4) M4 x 25mm (0.975") LG. SCREWS SUPPLIED FOR ASSEMBLY OF COVER TO BODY.
- 2) ALL HOLE DIAMETERS HAVE ±0.005 TOLERANCE ALL OTHER DIMENSIONS HAVE ±0.015 TOLERANCE

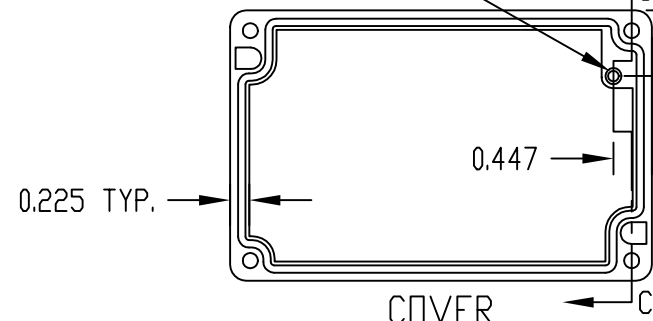


SECTION "A-A"

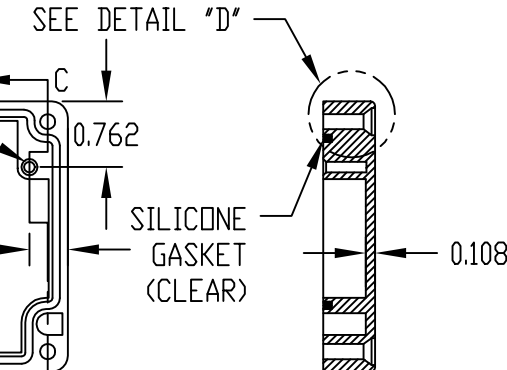


BODY

0.125 DIA. x 0.500 DEEP
(1) PLACE
ACCEPTS M3.5 x 6mm
SELF-TAPPING SCREW
(NOT SUPPLIED)



COVER



SECTION "C-C"

PART NO. AN-2813 & AN-2813-B
ARE SUPPLIED WITH A WELDED
ON MOUNTING BRACKET ONLY.